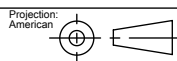


barbas

Barbas Bellfires B.V.
Hallenstraat 17
5531 AB Bladel
The Netherlands
www.barbasbellfires.com

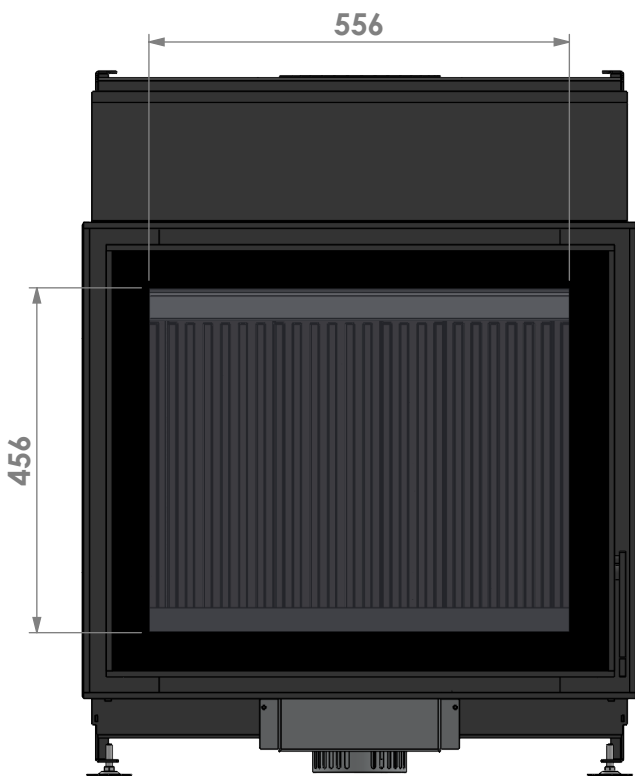
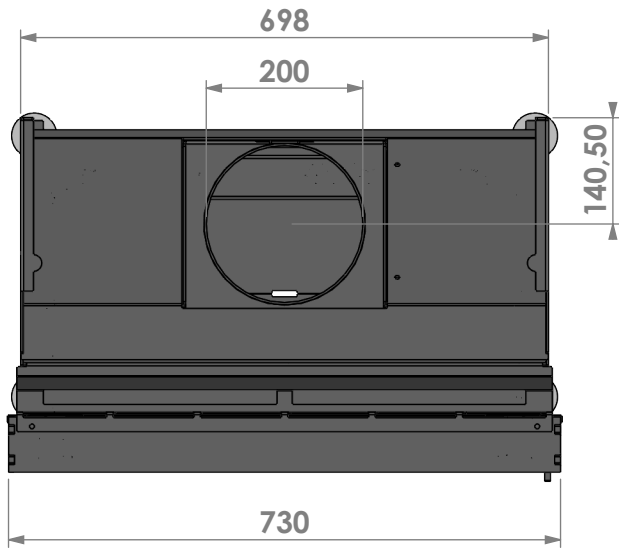
Name: **Falcon 73-63 frameless**

Modifications reserved



Scale: **1:10**
Unit: **mm**

Version: **0**

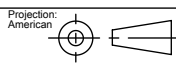


barbas

Barbas Bellfires B.V.
 Hallenstraat 17
 5531 AB Bladel
 The Netherlands
www.barbasbellfires.com

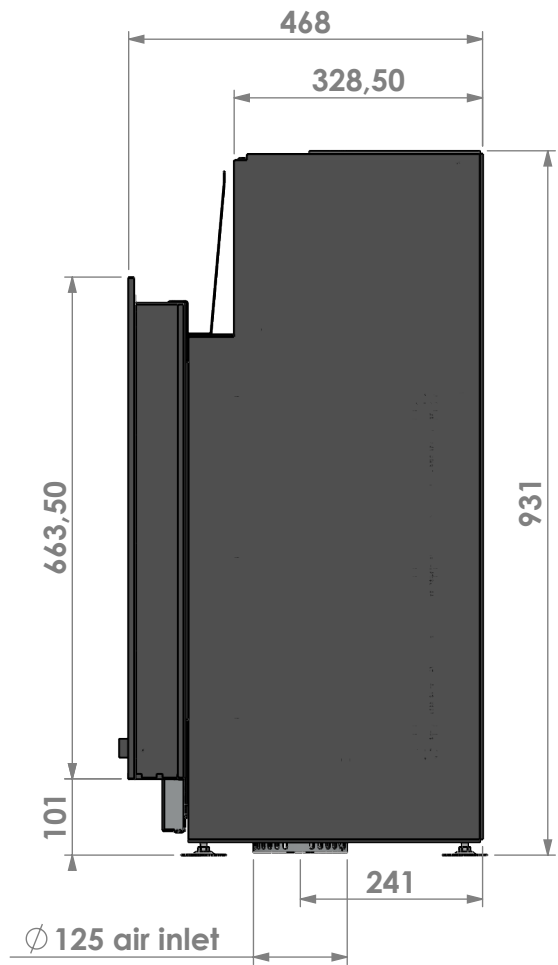
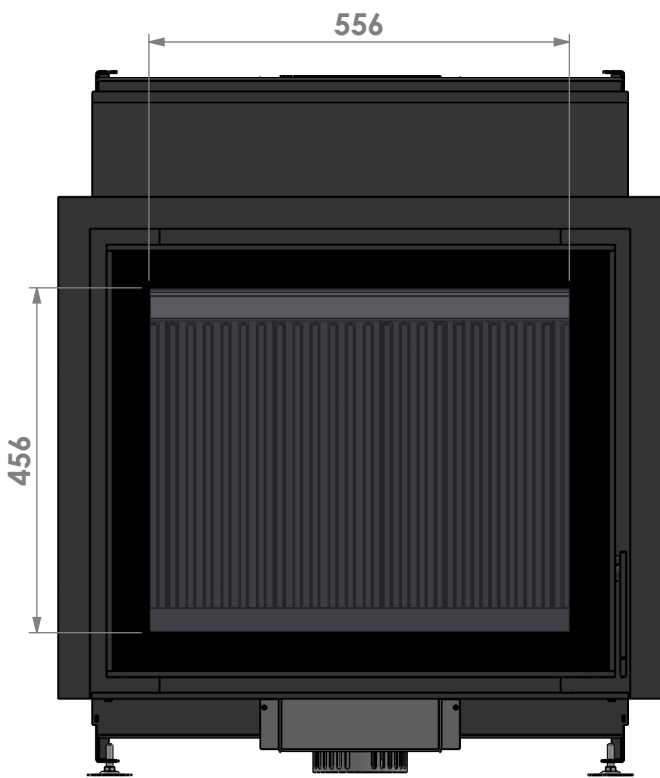
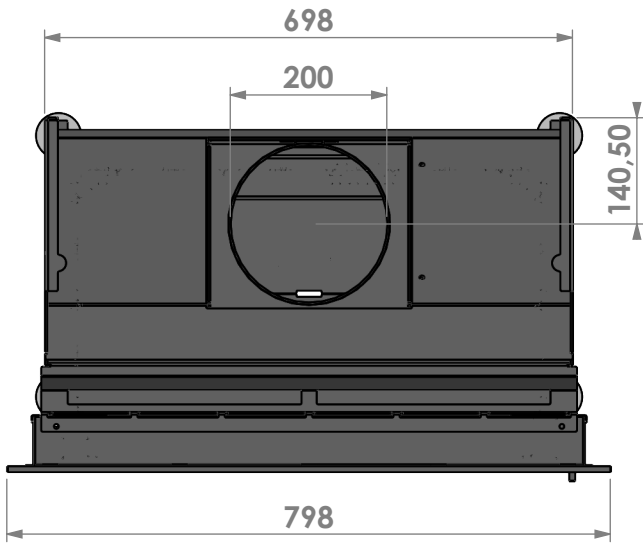
Name: **Falcon 73-63 built-in frame**

Modifications reserved



Scale: **1:10**
 Unit: **mm**

Version: **0**

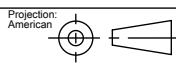


barbas

Barbas Bellfires B.V.
 Hallenstraat 17
 5531 AB Bladel
 The Netherlands
 www.barbasbellfires.com

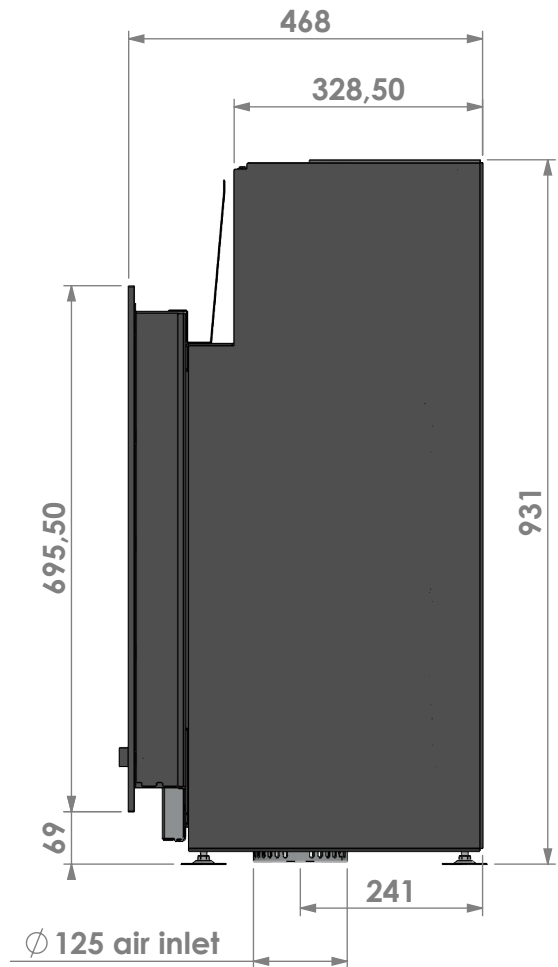
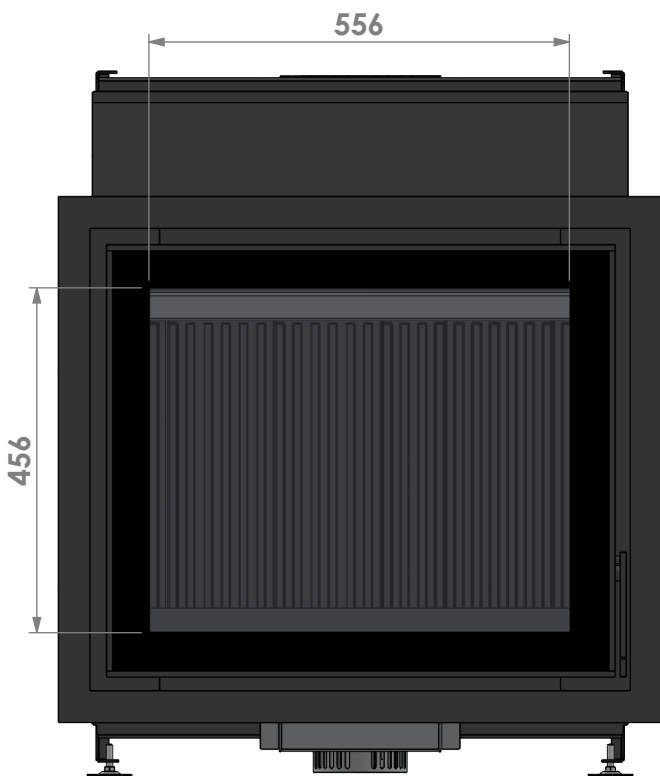
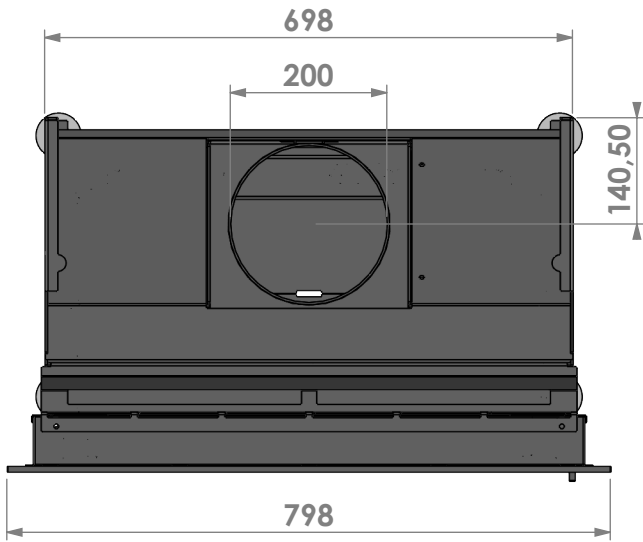
Name: **Falcon 73-63 classic frame 3 sided**

Modifications reserved



Scale: **1:10**
 Unit: **mm**

Version: **0**

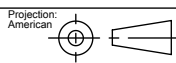


barbas

Barbas Bellfires B.V.
 Hallenstraat 17
 5531 AB Bladel
 The Netherlands
www.barbasbellfires.com

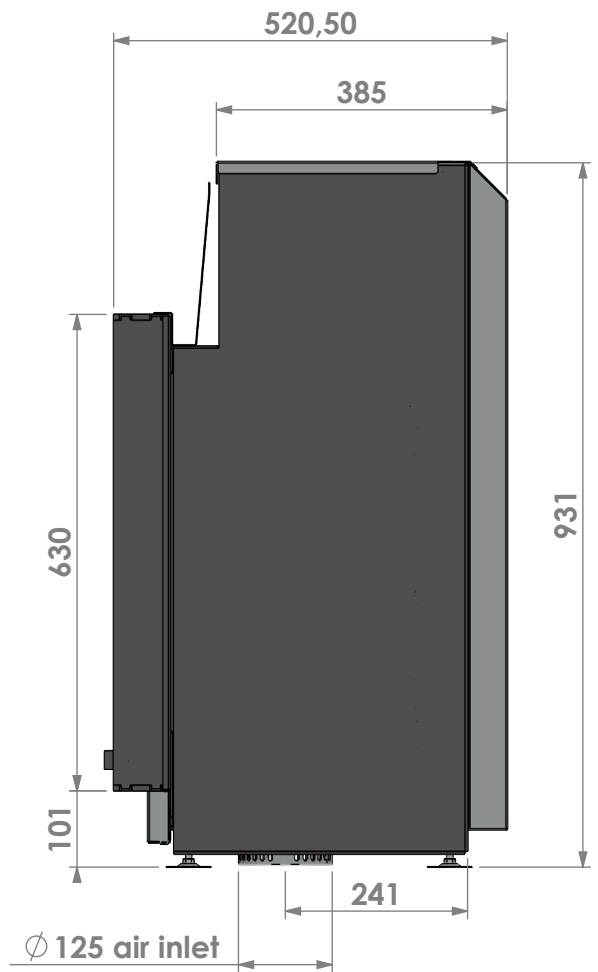
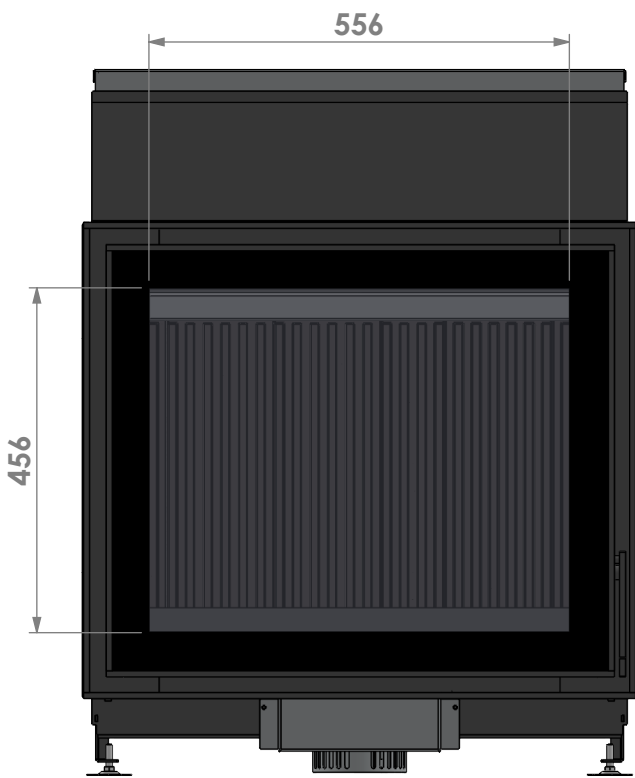
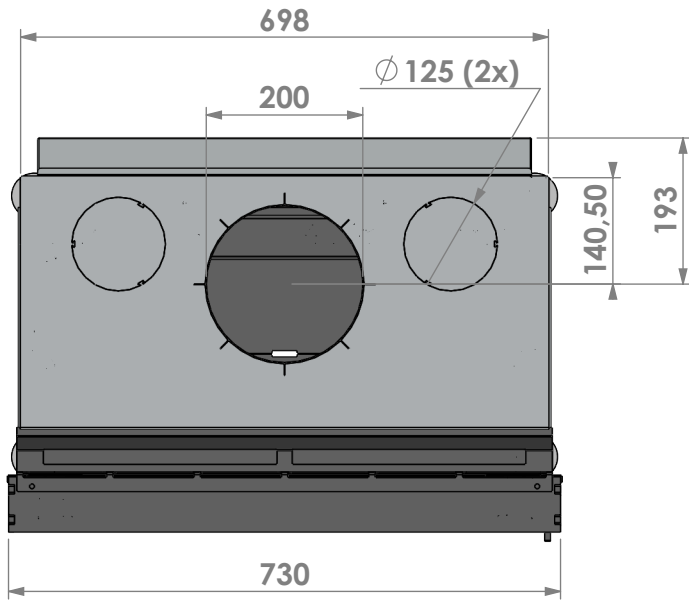
Name: **Falcon 73-63 classic frame 4 sided**

Modifications reserved



Scale: **1:10**
 Unit: **mm**

Version: **0**

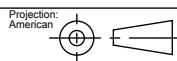


barbas

Barbas Bellfires B.V.
Hallenstraat 17
5531 AB Bladel
The Netherlands
www.barbasbellfires.com

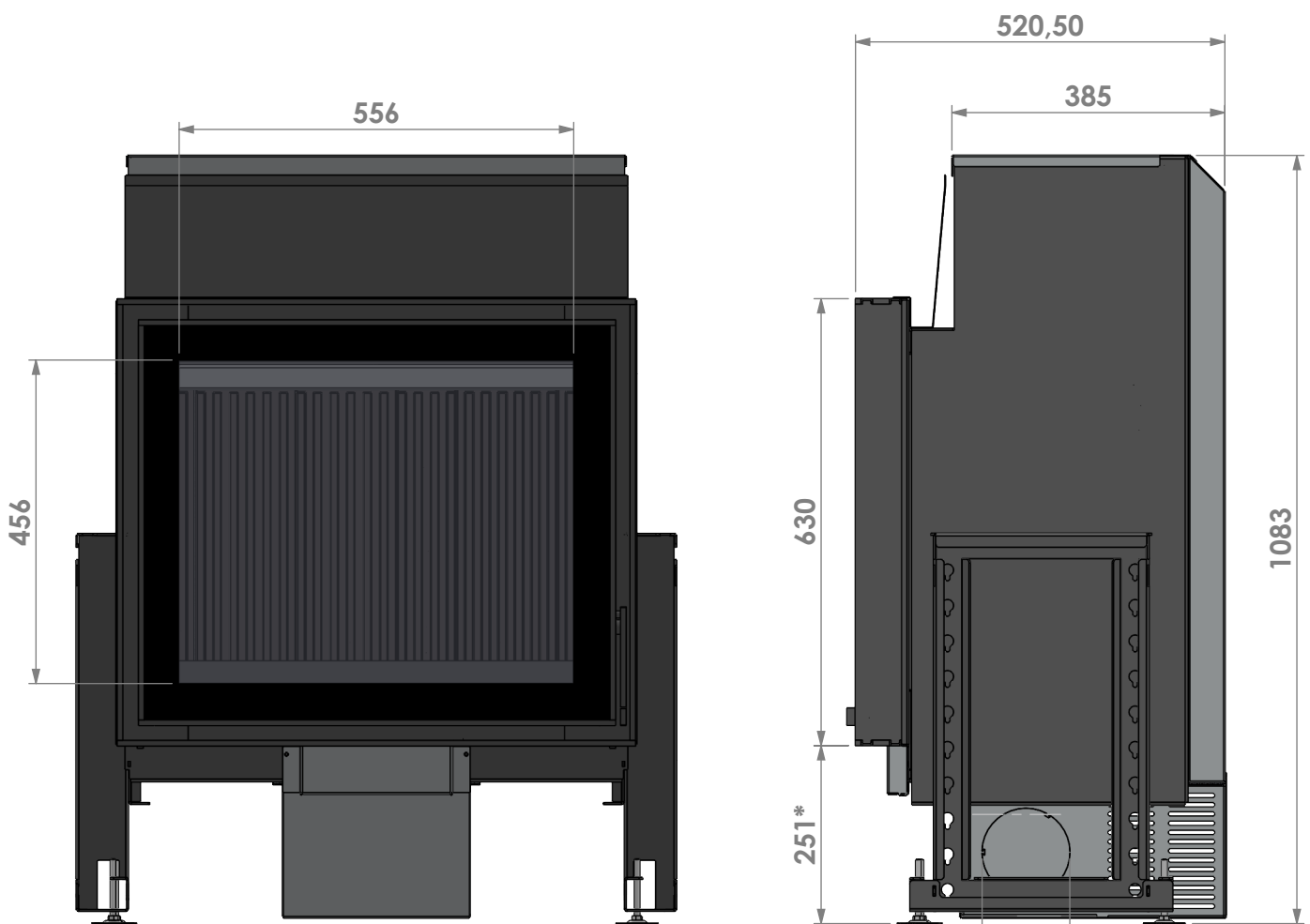
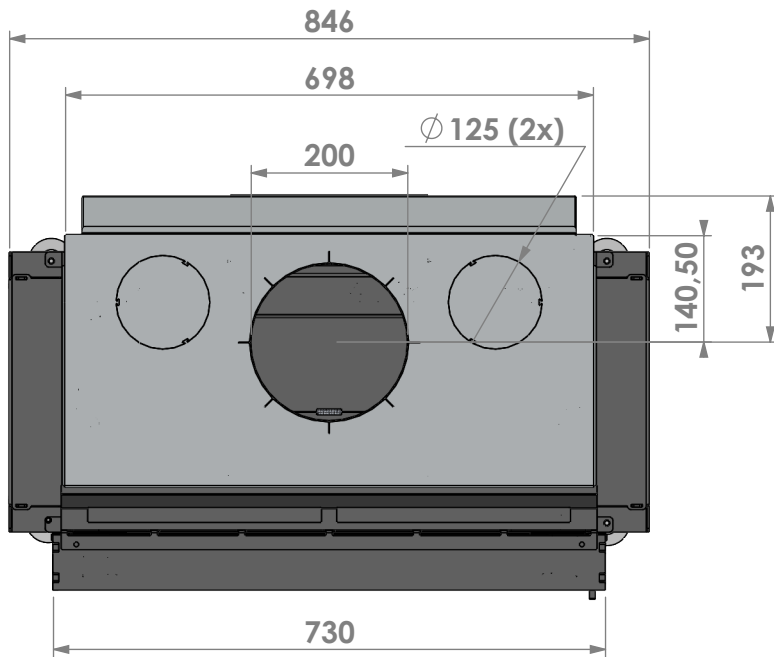
Name: **Falcon 73-63 built-in frame convection casing**

Modifications reserved



Scale: **1:10**
Unit: **mm**

Version: **0**



$\varnothing 125$ air inlet 3x (both sides+bottom)

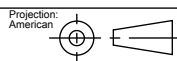
*= optional extended adjustable legs max. + 150 mm

barbas

Barbas Bellfires B.V.
Hallenstraat 17
5531 AB Bladel
The Netherlands
www.barbasbellfires.com

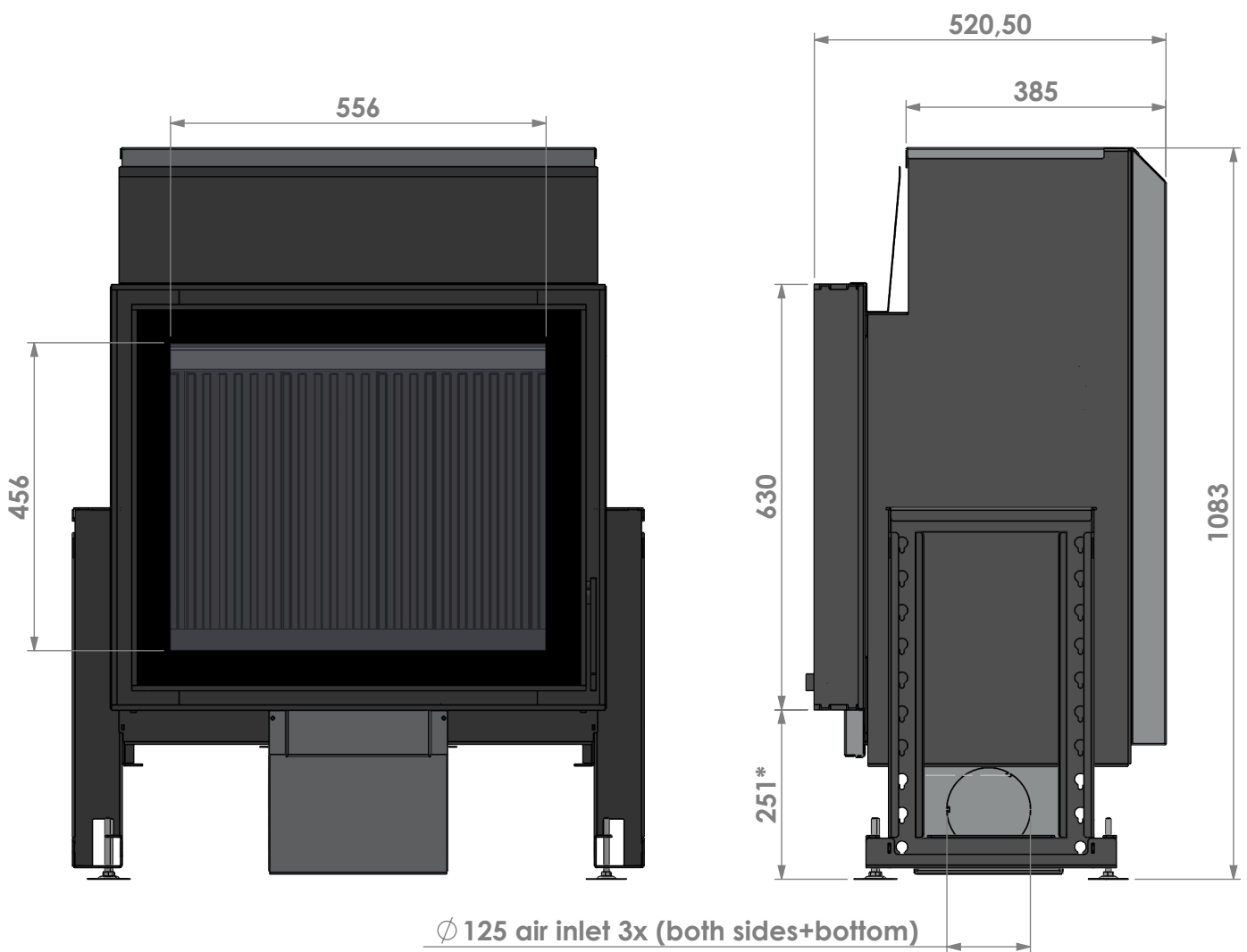
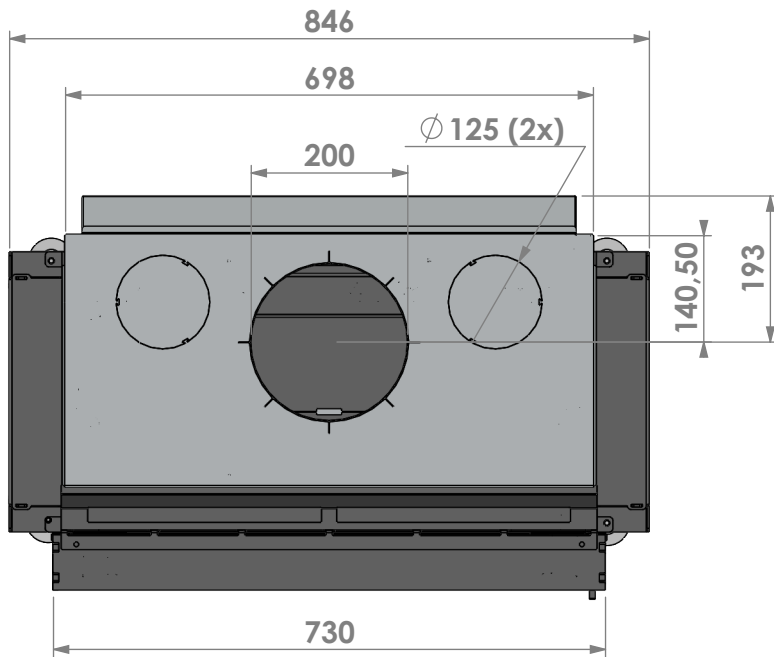
Name: **Falcon 73-63 built-in frame with fan**

Modifications reserved



Scale: **1:10**
Unit: **mm**

Version: **0**



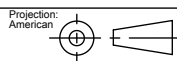
*= optional extended adjustable legs max. + 150 mm

barbas

Barbas Bellfires B.V.
Hallenstraat 17
5531 AB Bladel
The Netherlands
www.barbasbellfires.com

Name: **Falcon 73-63 built-in frame with airbox**

Modifications reserved



Scale: **1:10**
Unit: **mm**

Version: **0**