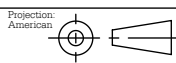


barbas

Barbas Bellfires B.V.
 Hallenstraat 17
 5531 AB Bladel
 The Netherlands
www.barbasbellfires.com

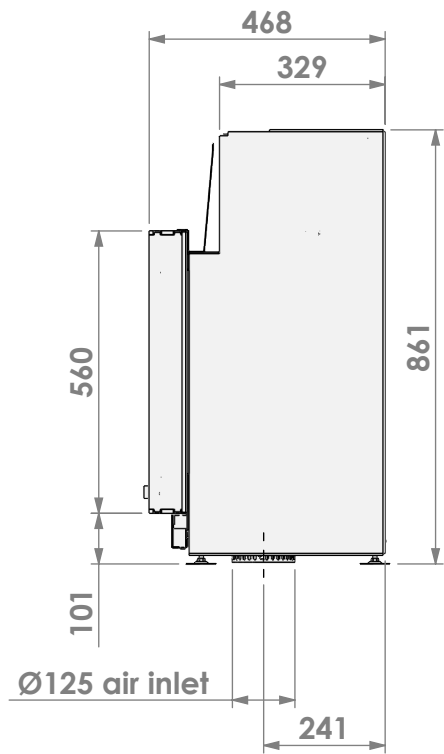
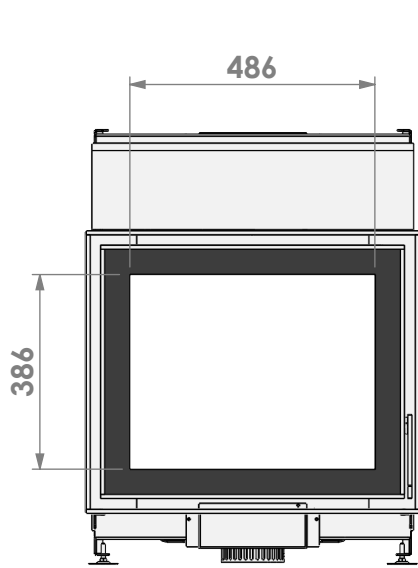
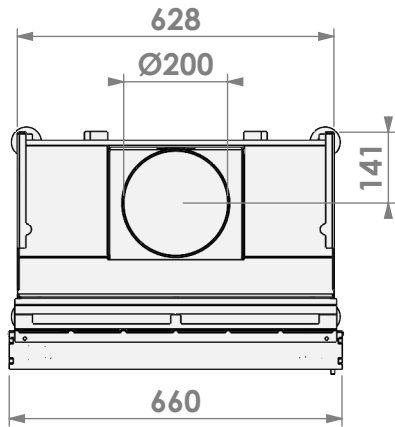
Name: **Falcon 66-56 frameless**

Modifications reserved



Scale: **1:15**
 Unit: **mm**

Version: **0**

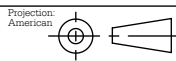


barbas

Barbas Bellfires B.V.
 Hallenstraat 17
 5531 AB Bladel
 The Netherlands
www.barbasbellfires.com

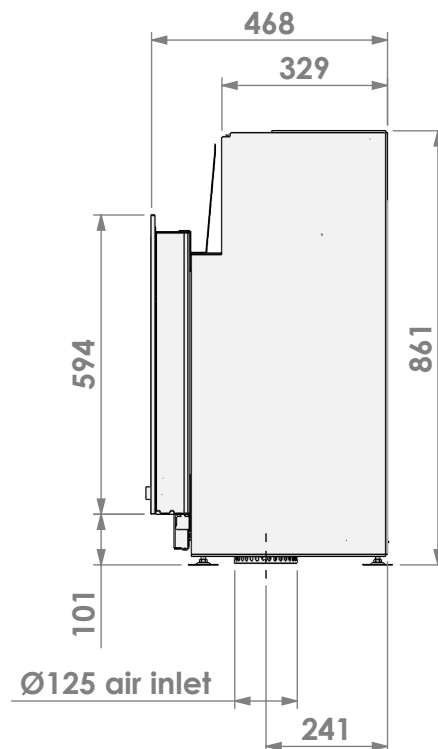
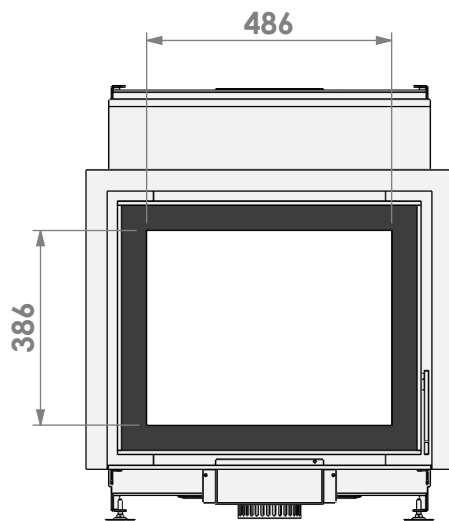
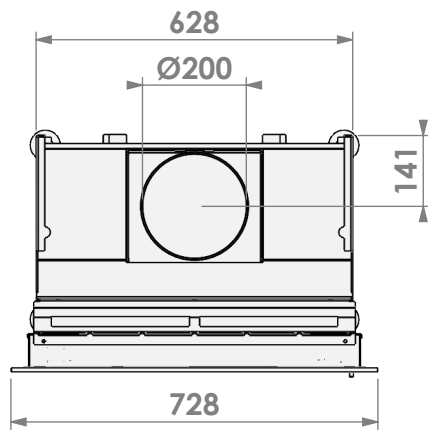
Name: Falcon 66-56 built-in frame

Modifications reserved



Scale: 1:15
 Unit: mm

Version: 0

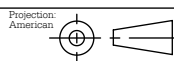


barbas

Barbas Bellfires B.V.
 Hallenstraat 17
 5531 AB Bladel
 The Netherlands
 www.barbasbellfires.com

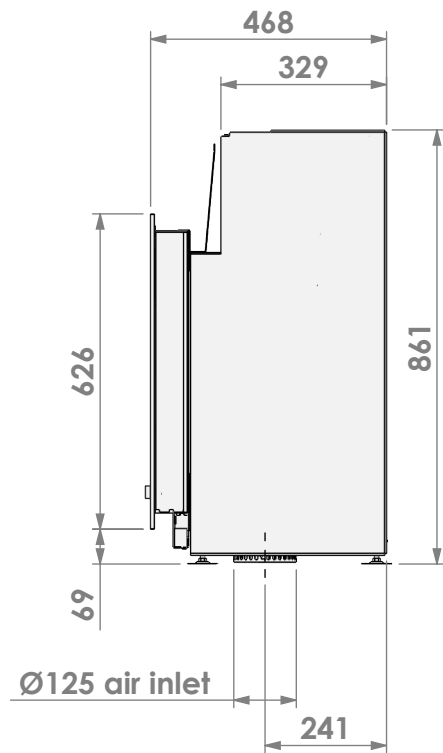
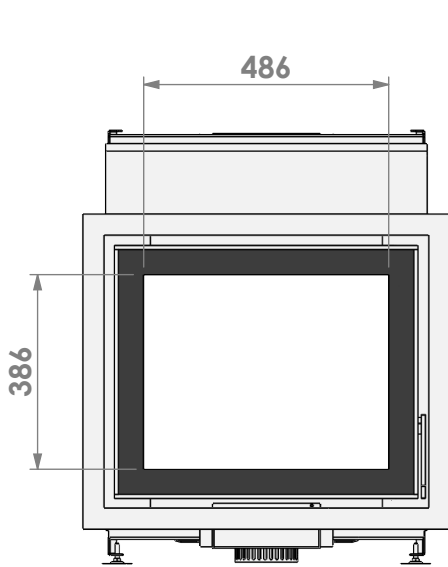
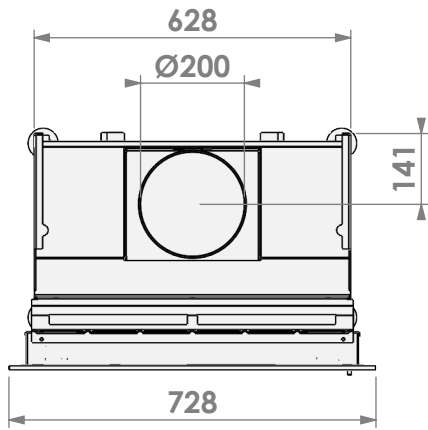
Name: Falcon 66-56 classic frame 3 sided

Modifications reserved



Scale: 1:15
 Unit: mm

Version: 0

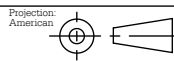


barbas

Barbas Bellfires B.V.
Hallenstraat 17
5531 AB Bladel
The Netherlands
www.barbasbellfires.com

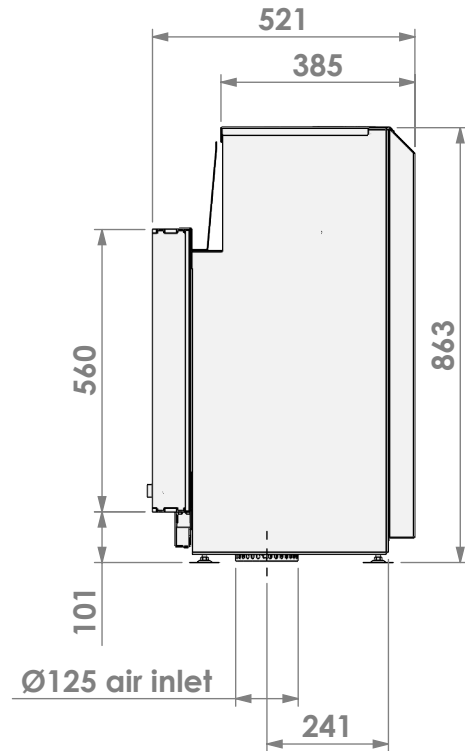
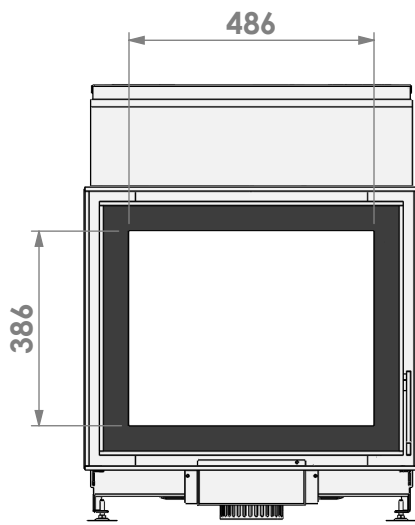
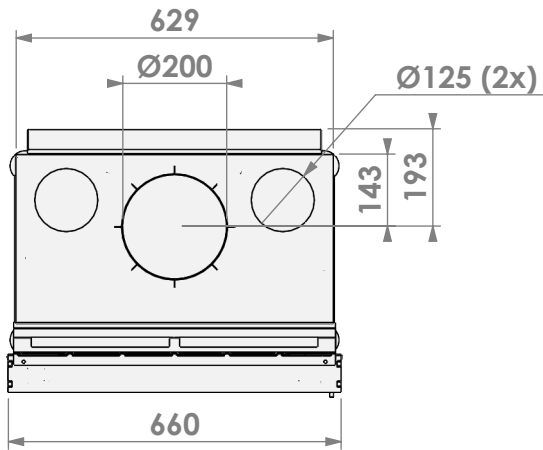
Name: Falcon 66-56 classic frame 4 sided

Modifications reserved



Scale: 1:15
Unit: mm

Version: 0

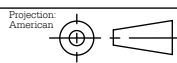


barbas

Barbas Bellfires B.V.
 Hallenstraat 17
 5531 AB Bladel
 The Netherlands
 www.barbasbellfires.com

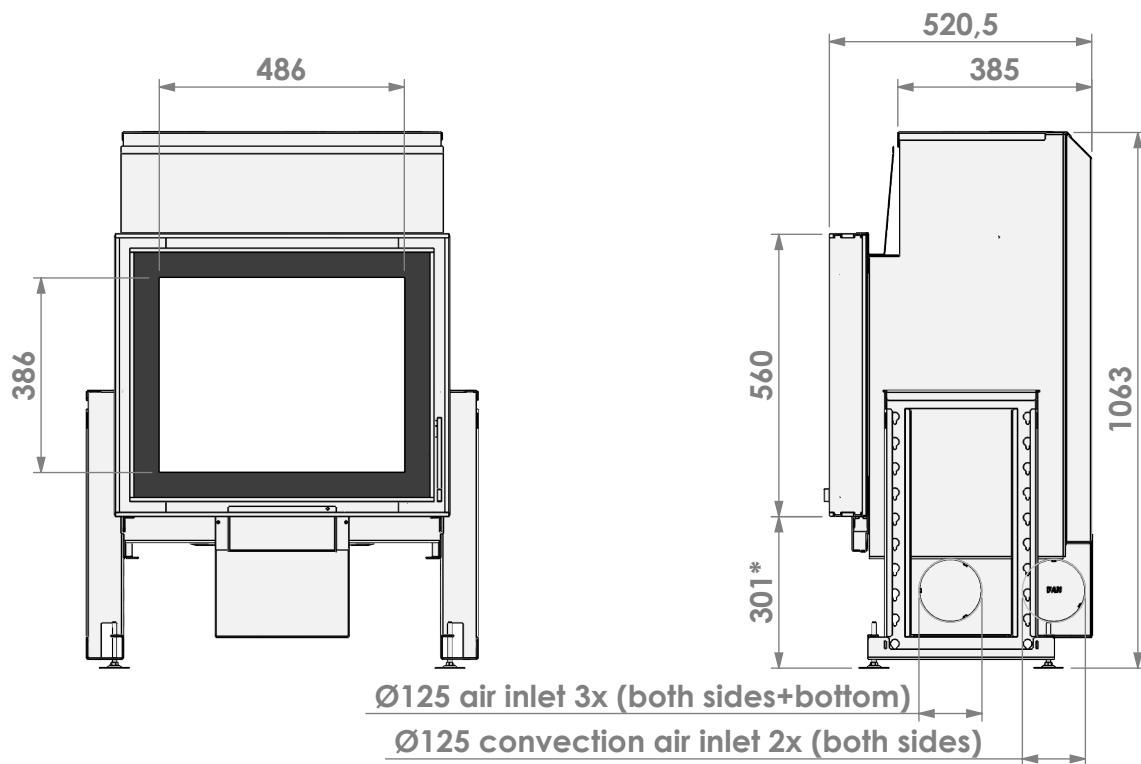
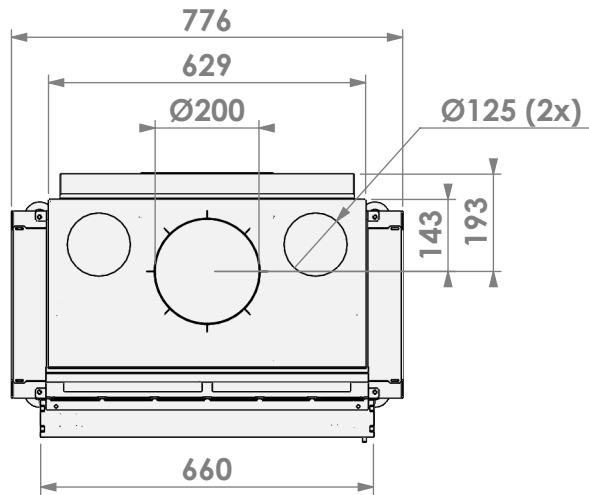
Name: **Falcon 66-56 built-in frame convection casing**

Modifications reserved



Scale: **1:15**
 Unit: **mm**

Version: **0**



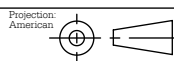
*= optional extended adjustable legs max. + 150 mm

barbas

Barbas Bellfires B.V.
 Hallenstraat 17
 5531 AB Bladel
 The Netherlands
 www.barbasbellfires.com

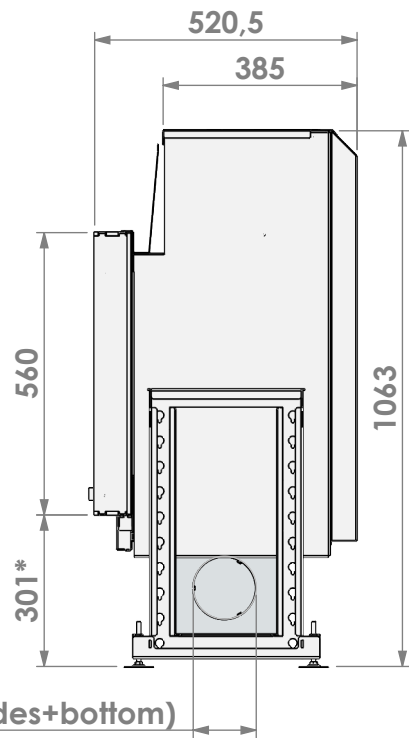
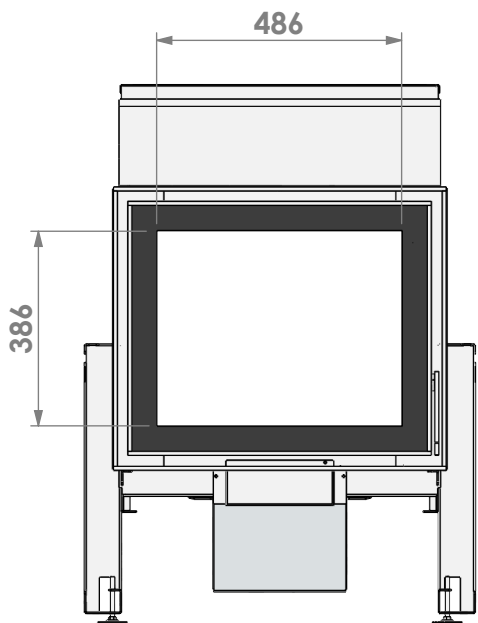
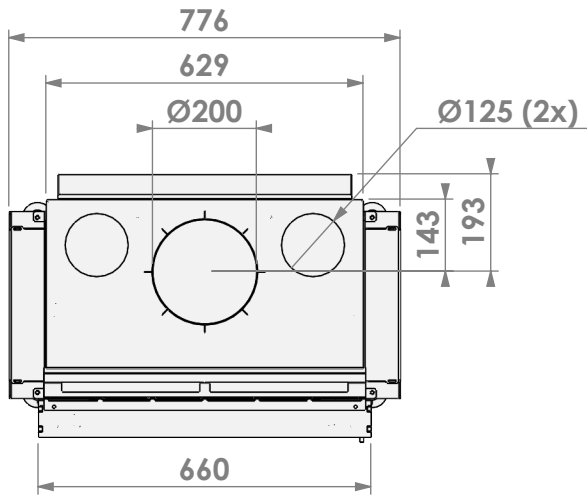
Name: Falcon 66-56 built-in frame with fan

Modifications reserved



Scale: 1:15
 Unit: mm

Version: 0



Ø125 air inlet 3x (both sides+bottom)

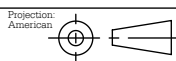
*= optional extended adjustable legs max. + 150 mm

barbas

Barbas Bellfires B.V.
Hallenstraat 17
5531 AB Bladel
The Netherlands
www.barbasbellfires.com

Name: Falcon 66-56 built-in frame with airbox

Modifications reserved



Scale: 1:15
Unit: mm

Version: 0